

Project Name: \_\_\_\_\_  
 Location: \_\_\_\_\_  
 Engineer: \_\_\_\_\_  
 Submitted to: \_\_\_\_\_  
 Submitted by: \_\_\_\_\_  
 Reference: \_\_\_\_\_

Approval: \_\_\_\_\_  
 Date: \_\_\_\_\_  
 Construction: \_\_\_\_\_  
 Unit #: \_\_\_\_\_  
 Drawing #: \_\_\_\_\_

### Performance

<i>Indoor Unit Model No:</i>	Non-Ducted
<i>Outdoor Unit Model No:</i>	RXYMQ36PVJU
<i>Cooling Capacity (Btu/hr):</i>	36000
<i>Sensible Capacity (Btu/hr):</i>	0
<i>Cooling Input Power (kW):</i>	
<i>Cooling EER (Btu/hr / kW):</i>	11.5
<i>SEER:</i>	14.9
<i>Heating Capacity (Btu/hr):</i>	42000
<i>Heating Input Power (kW):</i>	
<i>Heating COP (Btu/hr / Btu/hr):</i>	2.8
<i>HSPF:</i>	7.9

<i>Indoor Unit Type:</i>	
<i>Condensing Unit Type:</i>	VRV-III-S Heat Pump
<i>Cooling Nominal Conditions</i>	Indoor: 80°F DB/67°F WB Outdoor: 95°F DB/75°F WB Water Cooled: 85
<i>Heating Nominal Conditions</i>	Indoor: 47°F DB/43°F WB Outdoor: 47°F DB/43°F WB Water Cooled: 70
<i>Nominal Piping Length</i>	25
<i>Nominal Height Separation</i>	0
<i>Nominal Water Flow Rate</i>	

### Indoor Unit Details

<i>Power Supply (V/Hz/Ph):</i>	N/A
<i>Power Supply Connections:</i>	
<i>Min. Circuit Amps MCA (A):</i>	
<i>Max. Fusible Amps MFA (A):</i>	
<i>Dimensions (HxWxD):</i>	N/A
<i>Panel (HxWxD):</i>	N/A
<i>Net Weight (lbs):</i>	
<i>Weight with Panel (lbs):</i>	

<i>Airflow Rate (CFM wet coil)</i>	N/A
<i>Moisture Removal (pt/h):</i>	
<i>Gas Pipe Connection (inch):</i>	
<i>Liquid Pipe Connection (inch):</i>	
<i>Condensate Connection (inch):</i>	
<i>Sound Pressure Level (dBA):</i>	
<i>Sound Power Level (dBA):</i>	
<i>Nominal External Static Pressure (inH2O)</i>	
<i>Max Ext Static Pressure (inH2O)</i>	

### Condensing Unit Details

<i>Power Supply (V/Hz/Ph):</i>	208-230/60/1ph
<i>Power Supply Connections:</i>	L1, L2, Ground
<i>Min. Circuit Amps MCA (A):</i>	27
<i>Max. Fusible Amps MFA (A):</i>	30
<i>Max. Starting Current MSC(A):</i>	-
<i>Rated Load Amps RLA (A):</i>	17.6
<i>Total Overcurrent Amps (A):</i>	27
<i>Dimensions (HxWxD):</i>	52-15/16x35-7/16x12-5/8
<i>Net Weight (lbs):</i>	283
<i>Compressor Type:</i>	Inverter
<i>Capacity Control Range (%):</i>	29 - 100
<i>Capacity Index Limit:</i>	18 - 46.8 (130%)

<i>Airflow Rate (CFM):</i>	3740
<i>Gas Pipe Connection (inch):</i>	5/8
<i>Liquid Pipe Connection (inch):</i>	3/8
<i>H/L Pressure Connection (inch):</i>	
<i>H/L Equalizing Connection (inch):</i>	
<i>Water Inlet Connection (inch FPT):</i>	
<i>Water Outlet Connection (inch FPT):</i>	
<i>Condensate Drain Outlet (inch FPS):</i>	
<i>Sound Pressure Level (dBA):</i>	58
<i>Sound Power Level (dBA):</i>	70.1c / 57.1h
<i>Unit Heat Rejection (kW):</i>	
<i>Max. No. of Indoor Units:</i>	6

### System Details

<i>Refrigerant Type:</i>	R-410A
<i>Holding Refrigerant Charge (lbs):</i>	8.8
<i>Additional Charge (oz/ft):</i>	install data
<i>Pre-charge Piping (Length ft):</i>	-
<i>Max. Pipe Length (Total ft):</i>	492 ft
<i>Max. Pipe Length (Vertical ft):</i>	164 ft / 130 ft

<i>Cooling Operation Range (°F):</i>	23 - 115
<i>Cooling Range w/Baffle (°F):</i>	
<i>Heating Operation Range (°F):</i>	0 - 77 / -4 - 60
<i>Heating Range w/Baffle (°F):</i>	
<i>Cooling Inlet Water Temp (°F):</i>	
<i>Heating Inlet Water Temp (°F):</i>	
<i>Water Flow Range (GPM):</i>	

# Submittal Data Sheet

Project Name: \_\_\_\_\_

Location: \_\_\_\_\_

Engineer: \_\_\_\_\_

Submitted to: \_\_\_\_\_

Submitted by: \_\_\_\_\_

Reference: \_\_\_\_\_

Approval: \_\_\_\_\_

Date: \_\_\_\_\_

Construction: \_\_\_\_\_

Unit #: \_\_\_\_\_

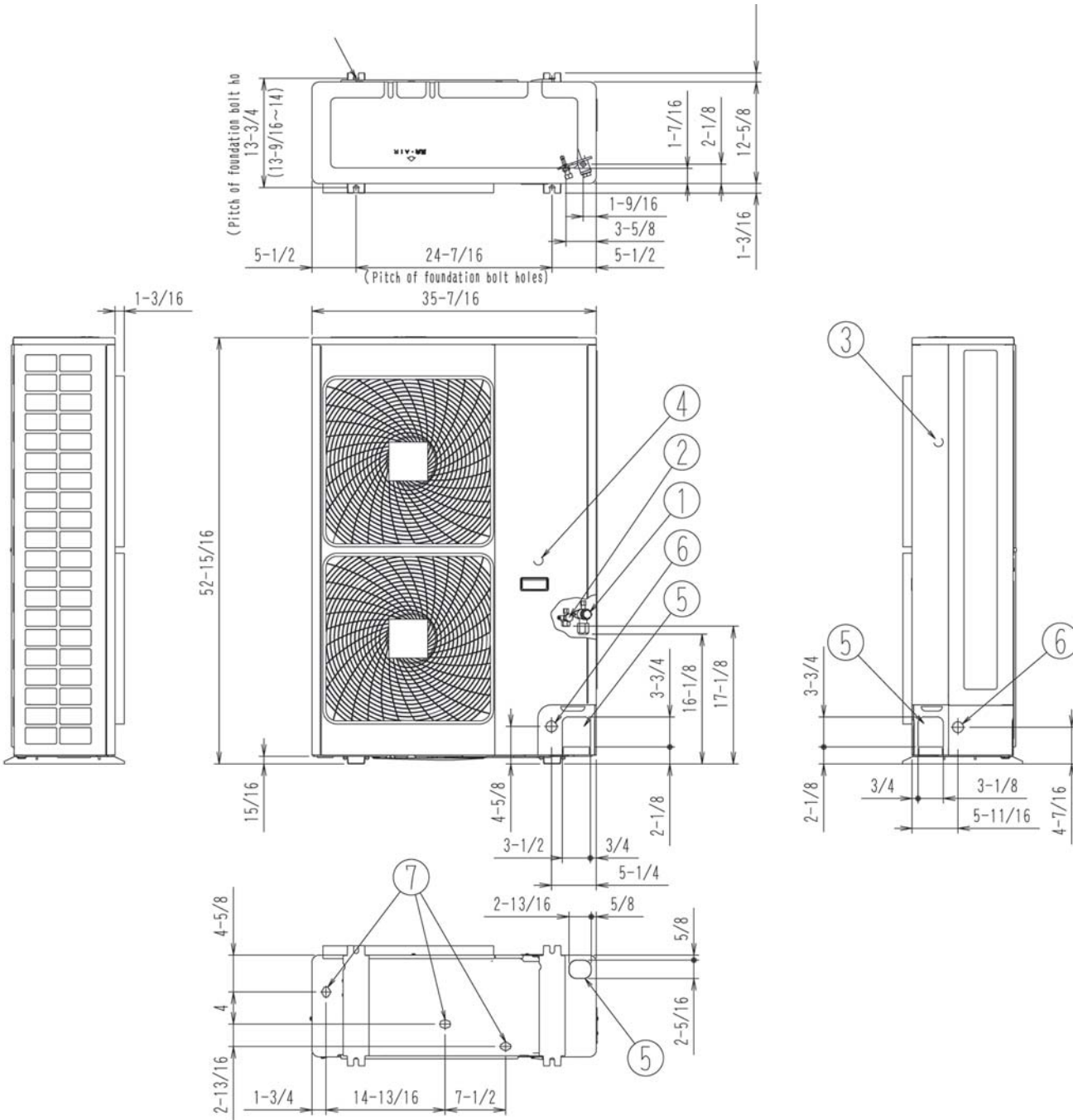
Drawing #: \_\_\_\_\_



Project Name: \_\_\_\_\_  
 Location: \_\_\_\_\_  
 Engineer: \_\_\_\_\_  
 Submitted to: \_\_\_\_\_  
 Submitted by: \_\_\_\_\_  
 Reference: \_\_\_\_\_

Approval: \_\_\_\_\_  
 Date: \_\_\_\_\_  
 Construction: \_\_\_\_\_  
 Unit #: \_\_\_\_\_  
 Drawing #: \_\_\_\_\_

**Dimensional Drawing - Condensing Unit**



Project Name: \_\_\_\_\_  
Location: \_\_\_\_\_  
Engineer: \_\_\_\_\_  
Submitted to: \_\_\_\_\_  
Submitted by: \_\_\_\_\_  
Reference: \_\_\_\_\_

Approval: \_\_\_\_\_  
Date: \_\_\_\_\_  
Construction: \_\_\_\_\_  
Unit #: \_\_\_\_\_  
Drawing #: \_\_\_\_\_

## Notes

Std U.S. Warranty: 6yrs Compressor, 1yrs Parts, 1yr Limited Labor